

SB-85R Extra

PIPELAYER

EPA Tier 4/EU Stage IV
STANDARD

ENGINE

	SB-85R Extra
Make and model	Cummins QSX 15
Emissions Standard	EPA Tier 4f/EU Stage IV
Displacement	15 l (915 in ³)
Bore and stroke	137 x 169 mm (5.39 in x 6.65 in)
Gross Horsepower, SAE J1995	306 kW (410 hp)
Net Horsepower, SAE J1349/ ISO 9249	276 kW (370 hp)
Rated rpm	2000
Max . Torque	1825 Nm (1346 lb-ft) @ 1400 rpm
Air Cleaner	Cummins Filtration Direct Flow™, dry type, with dash-mounted electronic service indicator
Cold-Starting Aid	ether start

ELECTRICAL

	SB-85R Extra
Voltage	24 V
Number of batteries	4
Battery capacity	1920 CCA
Alternator rating	105 A
Lights	10 total; cab mounted (2F & 2R), 2F grill, 2R fuel tank, 1 boom, 1 winch mounted

OPERATOR STATION

	SB-85R Extra
ROPS	ROPS (ISO 3471 - 2008)
FOPS	FOPS (ISO 3449 - 2005)

COOLING

	SB-85R Extra
Type	suction- type variable-speed fan, hydraulically driven with perforated engine side sheets and heavy duty louvered front grill
Engine coolant rating	-50 deg C to +40 deg C (-58 deg F to +104 deg F)

OPERATING WEIGHTS

	SB-85R Extra
Base Weight with standard equipment, boom 7,315 mm, Cab ROPS/FOPS, full fuel tank, and 79-kg [175 lb] operator)	65 580 kg (144579 lb)

HYDRAULICS

	SB-85R Extra
Type	Open-center hydraulic system with fixed-displacement multiple piston and gear pumps
System relief pressure	winch hook and boom 35 MPa (5215 psi); counterweights 12 MPa (1,790 psi)
Control	two lever for winch two lever for counterweight

OPTIONAL COMPONENTS

	SB-85R Extra
Track Shoes	
508 mm (20 in)	-193,2 kg (426 lb)

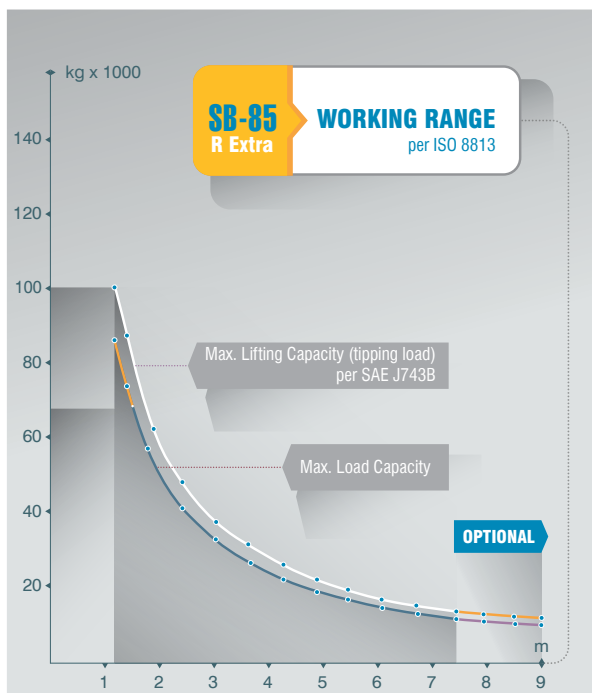
POWERTRAIN

TD-85R Extra

Transmission	Single stage 410 mm (16 in) torque converter with a 2.523:1 stall ratio drives to transmission through a double universal joint. Modular, countershaft type power shift transmission, electro-hydraulic control. Preset travel speed selection and auto-downshift.
Steering	Exclusive 2-speed geared steering module provides gradual turns while maintaining full power to both tracks plus conventional clutch-brake performance for tight or pivot turns. Coupled to 3-speed transmission, the 2-speed steering provides 6 speeds forward and 6 reverse. The left hand joystick controls transmission and steering drive for up and down shifting, steering, Hi/Lo selection and LH/ RH gradual geared turn.
Final drives	Double-reduction planetary type final drives mounted independently of track frames for isolation from shock loads
Total ratio	11.57 to 1

TRAVEL SPEEDS - LIFTING CAPACITY

SB-85R Extra



Travel speeds			
Gear	Range	Forward	Reverse
		km/h (mph)	km/h (mph)
1st	Low	3.1 (1.9)	3.7 (2.3)
	High	4.0 (2.5)	4.8 (3.0)
2nd	Low	5.2 (3.2)	6.2 (3.9)
	High	6.6 (4.1)	7.9 (4.9)
3rd	Low	8.1 (5.0)	9.6 (6.0)
	High	10.3 (6.8)	12.2 (7.6)

Brakes	
Service	Spring applied hydraulically released multi-disc wet brakes. Foot pedal piloted control.
Parking	The steering brakes also act as service and parking brakes. Service brakes are locked automatically when the transmission safety lever is actuated or when the engine is cut off.

UNDERCARRIAGE

SB-85R Extra

Suspension	Rigid type
Tracks	Large deep-heat-treated, sealed, and lubricated track links and through-hardened, sealed, and lubricated rollers for maximum wear resistance
Track Gauge	2600 mm (8 ft 6 in)
Track Shoe Width	915 mm (36 in)
Chain	Sealed and lubricated
Shoes, Each Side	46
Track Rollers, Each Side	8
Track Length on Ground	3980 mm (13 ft 1 in)
Ground Contact Area	68 774 cm ² (10,660 sq in)
Ground Pressure	93.5 kPa (13.56 psi)
Track Pitch	250 mm (9.86 in)
Sprocket segments, each side	3

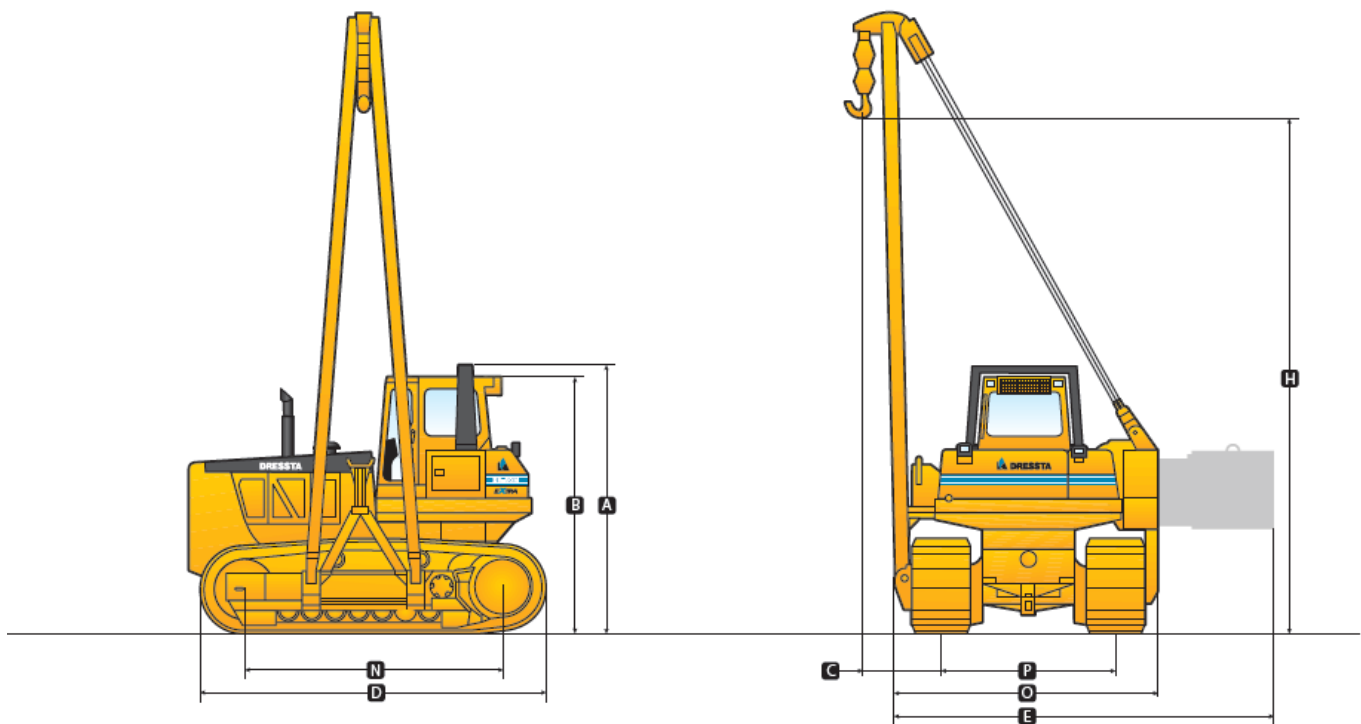
SERVICEABILITY

SB-85M Extra

Refill capacities	
Fuel Tank	700 l (184.9 US gal)
Cooling System	68 l (17.96 US gal)
Engine Oil	49 l (13.1 US gal)
Transmission System	270 l (72 US gal)
Final drive, each side	84 l (22.4 US gal)
Hydraulic Reservoir	195 l (52 US gal)

MACHINE DIMENSIONS

A Overall Height -ROPS	4100 mm (13 ft 5 in)
B Overall Height -FOPS cab	3940 mm (12 ft 11 in)
C Overhang, min	1220 mm (4 ft)
D Operating length	5770 mm (18 ft 11 in)
E Width of tractor (counterweight extended)	5860 mm (19 ft 3 in)
H Hook height max w/std boom	7440 mm (24 ft 5 in)
N Length track on ground	3980 mm (13 ft 1 in)
O Width of tractor counterweight /boom removed	3855 mm (12 ft 8 in)
P Track gauge	2600 mm (8 ft 6 in)



PIPELAYING EQUIPMENT

Boom length std/optional	7,315 mm / 9,000 mm (24 ft / 29 ft 6 in)
Counterweights	Adjustable hydraulically controlled 4pcs / 9360 kg (20 635 lb)
Live power	continuous power to pipelayer winches independent of torque converter
Winch transmission	operated independently or simultaneously sliding gear planetary, 2 speed for raising, 2 speed for lowering
Drums diameter (hook & boom)	338 mm (13.3 in) / 338 mm (13.3 in)
Wire rope length (inside flanges) hook/boom	108 m (354 ft 4 in) / 74 m (242 ft 9 in)
Wire rope diameter	22.2 mm (7/8 in)
Hook speed:	
raise 1st	11.3 m/min (37.4 ft/min)
raise 2nd	18.7 m/min (61.4 ft/min)
lower 1st	11.1 m/min (36.4 ft/min)
lower 2nd	20.4 m/min (66.9 ft/min)
max lifting capacity per SAE 743B	100 t (220460 lb)

STANDARD EQUIPMENT SB-85R Extra

ENGINE

Cummins QSX15, Tier 4/EU Stage IV, emission certified, turbocharged, high pressure injection (HPI), 370 HP (276 kW)
Air cleaner, Cummins Filtration Direct Flow, dry type, with exhaust aspirated primary, precleaner and electronic service indicator
Coolant filter conditioner
Filters oil, full flow and by-pass with replaceable elements
Antifreeze, -34°F (-37°C)
Cooling module; includes radiator, transmission oil cooler, hydraulic oil / fan drive oil cooler, fuel cooler, charge air cooler; isolation mounted
Exhaust pipe extension
Fan, hydraulically driven, suction type, variable speed
Filters, transmission, hydraulic system, fuel system
Strainers, fuel and hydraulic tanks
Water separator, fuel system

DRIVETRAIN

Brakes, wet, multiple disc, closed type, spring applied hydraulically released
Decelerator - right foot pedal, and brake - center foot pedal
Steering, planetary type, 2 speed, left hand single lever control (joystick)
Torque converter, single stage
Transmission, power shift, 3 speeds forward, 3 reverse combined with 2 speed steering provides 6 speeds forward, 6 reverse

OPERATOR'S ENVIRONMENT

Cab, 6-sided, w/sound suppression, air recirculation system, lights: 2 front and 1 side (LH), 4 wipers w/washers, dome light, inside mirror, roof window and emergency hatch (approved according to FOPS - SAE J231)
Seat, air suspension type, fabric cover, adjustable with arm rest
Seat belt (SAE J386) - 3" wide, retractable
Sun visor for front cab window
Tools compartment

BOOM

Lifting capacity - 100 000 kg (220,460 lb) with counterweights extended (per SAE J743B)
Boom kickout, uppermost position
Boom welded type, box-section structure, length 7315 mm (24')
Brake, hook lowering, auxiliary
Emergency hook lowering system
Load capacity indicator, mechanical, on boom frame

INSTRUMENTATION

Gauges: fuel level, engine coolant temperature, engine oil pressure, torque converter oil temp., voltmeter, hourmeter, brake lock, emergency hook lowering, joystick control display
Warning lights: air cleaner filter, transmission oil filter, hydraulic oil filter, transmission/clutch oil low pressure, counterweights extended, hook top limit position, boom top limit position
Audible & visual warning system: low engine coolant level, low engine oil pressure, coolant high temperature, hydraulic oil high temperature

ELECTRICAL

Alarm, back-up
Alternator 105 A
Batteries, (4) 12 V, 1920 CCA, maintenance free, cold start
Horn, electric
Light, boom
Lights w/guards, 2 front, 2 rear, tractor mounted
Starting, 24 V
Starting aid - air grid heater
Receptacle, starting/charging

GUARDS

Engine hood, soild, sloped
Engine side doors, hinged, perforated type
Final drive seal guard
Guards: crankcase - hinged with front pull hook, fan, radiator, transmission
Radiator guard doors, two-piece, louvered, hinged

UNDERCARRIAGE

Track adjusters, hydraulic
Track chain guides, integral
Track chain, sealed and lubricated (LTS) with split master link, 46 links
Track frames: 8 roller, 2700 mm (106") gauge, non-oscillating type, lifespan lubricated rollers and idlers
Track shoes, 915 mm (36")

OTHER STANDARD EQUIPMENT

Bumper, front
Counterweights, adjustable, hydraulically controlled 4-blocks and 2-counterweight frames (total weight extendable - 12350 kg)
Drawbar, fixed
Ecological drains for engine oil, radiator coolant and hydraulic oil
Manuals, parts and operator's
Rear access platform
Winch transmission (two separate winches for hook and boom with hydrostatic drive system and planetary transmission)

OPTIONAL EQUIPMENT SB-85R Extra

WORKING ATTACHMENTS

Boom, welded type, box-section structure length - 7315 mm (24') with electronic load limit indicator

Boom, welded type, box-section structure length - 9000 mm (29' 6") with or without electronic load limit indicator

Hook pulley block limit switch, uppermost position

OPERATOR'S ENVIRONMENT

Air conditioner/heater/pressurizer/defroster, underseat mounted, behind roof mounted A/C condenser

Heater/pressurizer/defroster

ROPS, for use with standard Cab

For use with cab:

- AM/FM CD radio
- Lights for cab, 2 rear
- Mirrors, 2 pcs, exterior, cab mounted RH & LH
- Sun visors (2), additional, for side door windows

GUARDS

Engine hood, perforated

Sprocket, dirt/rock deflector

Track roller guard

ADDITIONAL OPTIONS

Beacon light, rotating

Light, winch cab mounted

Maintenance tool kit, 17 items in a metal box

1000 h maintenance package (filters)

1500 h maintenance package (filters)

2000 h maintenance package (filters)

Starting/charging receptacle plug assembly with cable (required to jump start or charge batteries)

Vandalism protection

SFR

Export packing, drive-on/drive-off, machine on the trailer

Export packing, drive-on/drive-off, machine on the railway wagon

At Dressta we take pride in innovating to help our customers to achieve more in the jobs they do.

Our dedicated team of application engineers can customize designs, modify standard equipment and adapt attachments for peak performance in specific application tasks, improving productivity and bottom line results.

Do you have a Special Feature Request? See how Dressta can help you achieve more in the jobs you do.

Specifications may change from time to time and this brochure may not reflect the latest specifications. Photographs in this brochure may not reflect market configuration. Please consult your dealer to confirm specifications and configurations.



Dressta encourages safe worksites.
Please consult operator's manual before use of any Dressta equipment.



info@dressta.com
www.dressta.com

DR-SP-SB85R-T4-A4-04072017-ENG